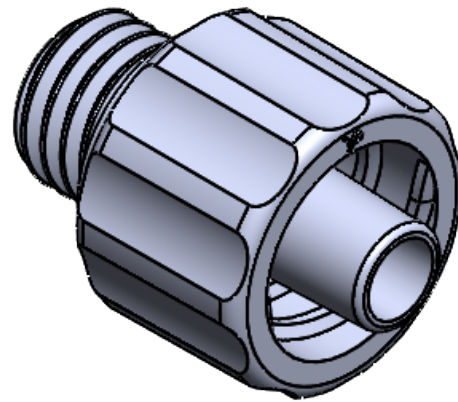
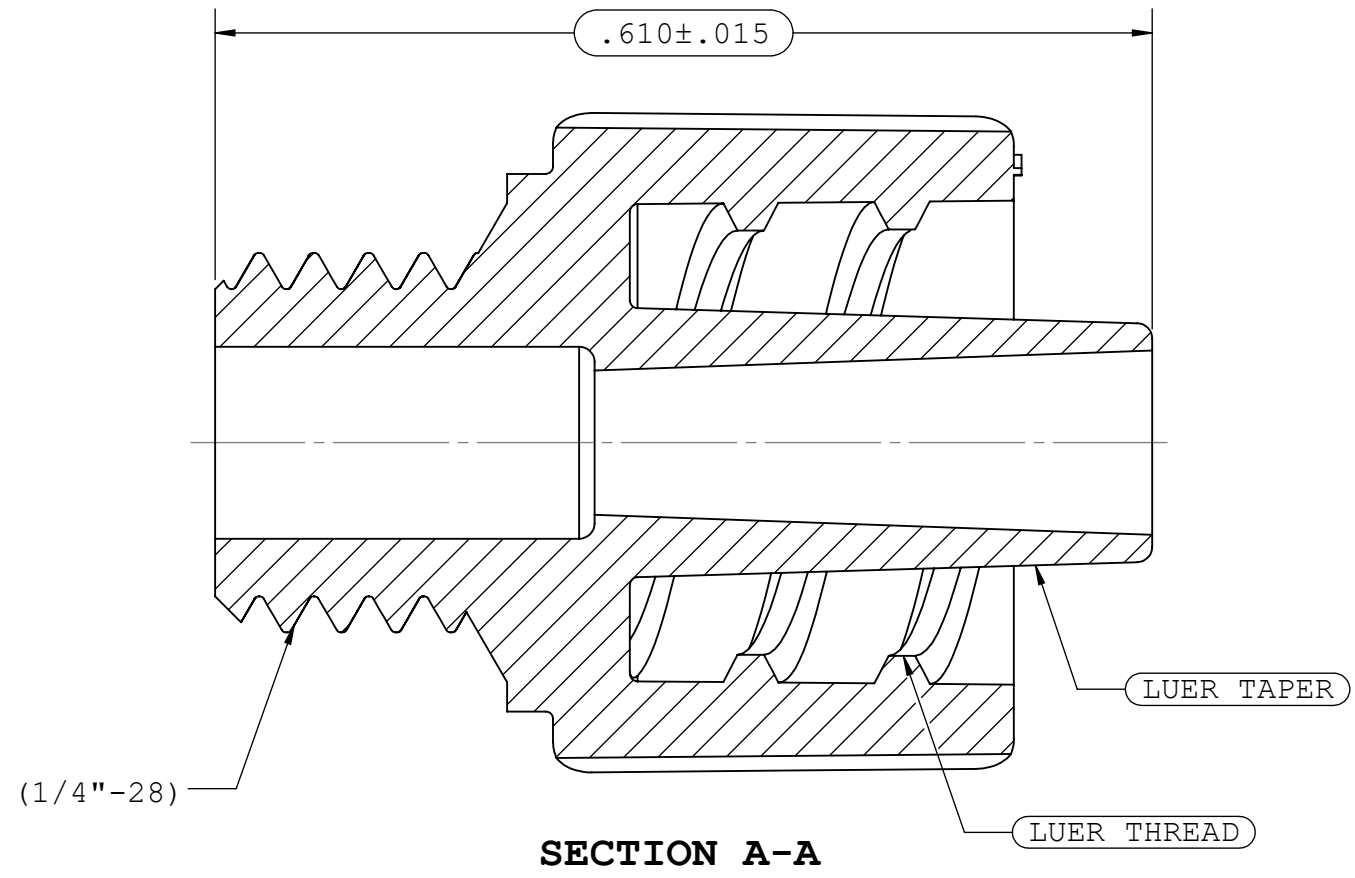
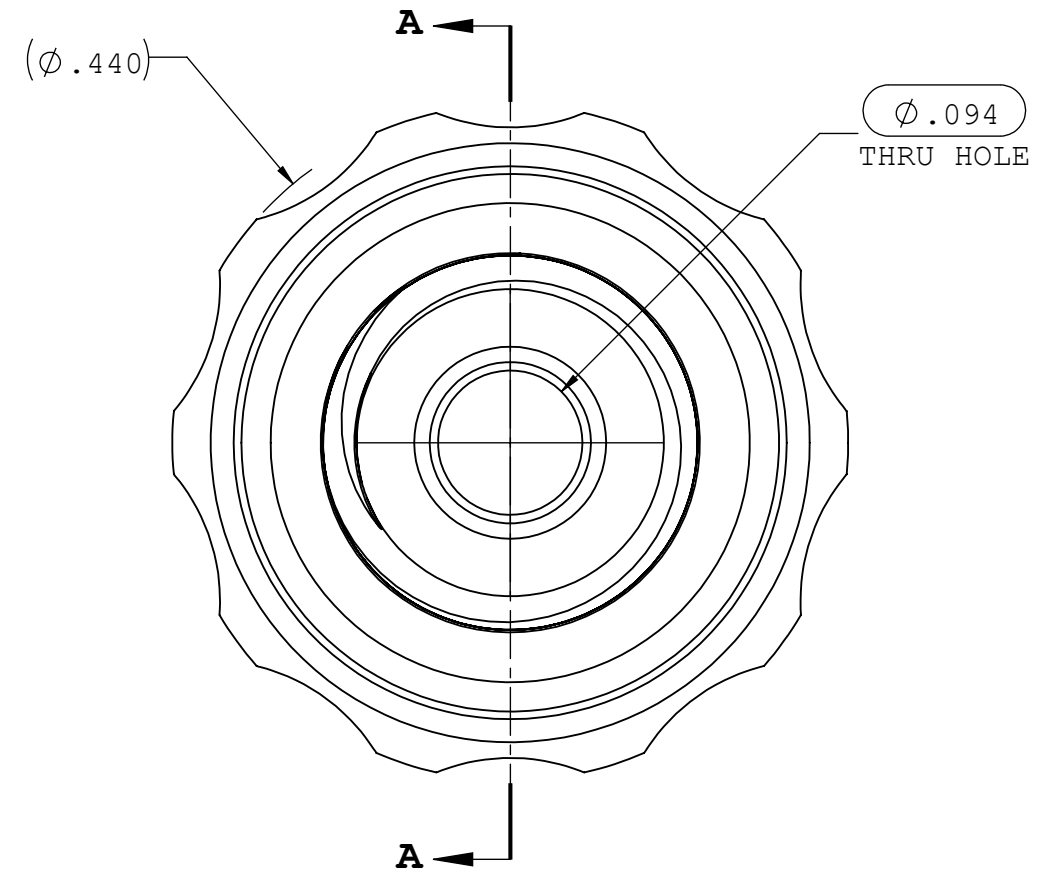


NOTES: 1.FOR ADDITIONAL DETAILS, PLEASE CONTACT VP NEW PRODUCT DEVELOPMENT
 2.DIMENSIONS MARKED ϕ ARE CONTROL DIMENSIONS
 3.VERIFY THREAD USING CG118 1/4"-28 FUNCTIONAL THREAD GAUGE

REVISIONS			
REV.	DESCRIPTION	DATE	APPROVED
A	INITIAL RELEASE	03-05-98	
B	CO 031 DRAFTING UPDATE	01-17-06	RICK C.
C	ECO 358	03-20-17	FJL
D	ECO 1079196	01-31-20	FJL



UNLESS OTHERWISE SPECIFIED DIMENSIONS ARE IN INCHES TOLERANCES ARE:		VALUE PLASTICS, INC			
FRACTIONS DECIMAL ANGULAR \pm .XX \pm .01 \pm 1° .XXX \pm .005 .XXXX \pm .001 DO NOT SCALE DRAWING		PART NUMBER: SMTLL			
DESCRIPTION: MALE LUER INTEGRAL LOCK RING TO 1/4"-28 THREAD		SIZE: B	SCALE: NTS	VER:	DWG. NO. 1007763
DRAWN BY: BRYCE HIRSCHFELD		DATE: 1/31/2020	MANAGER: LOU HUADONG		REV: D
© 2014 VALUE PLASTICS, INC				SHEET: 1 OF 1	

FOR REFERENCE ONLY